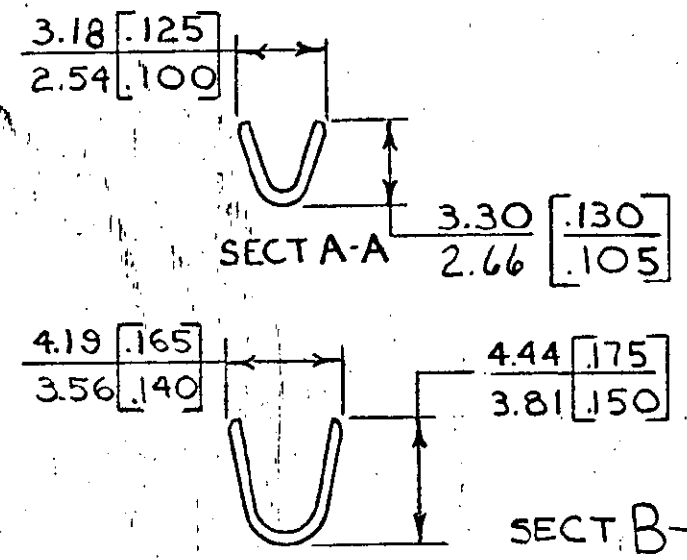
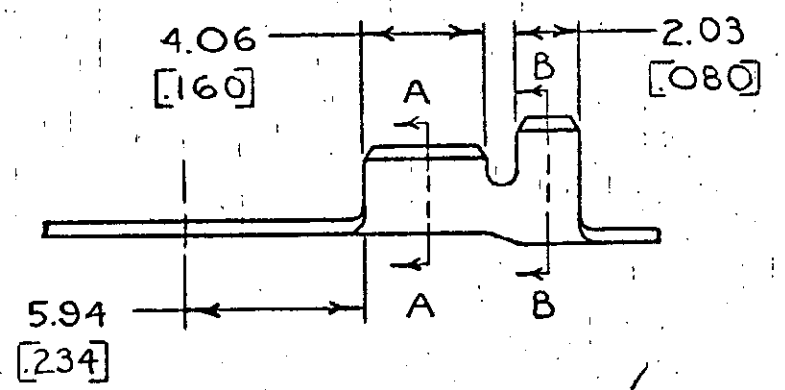
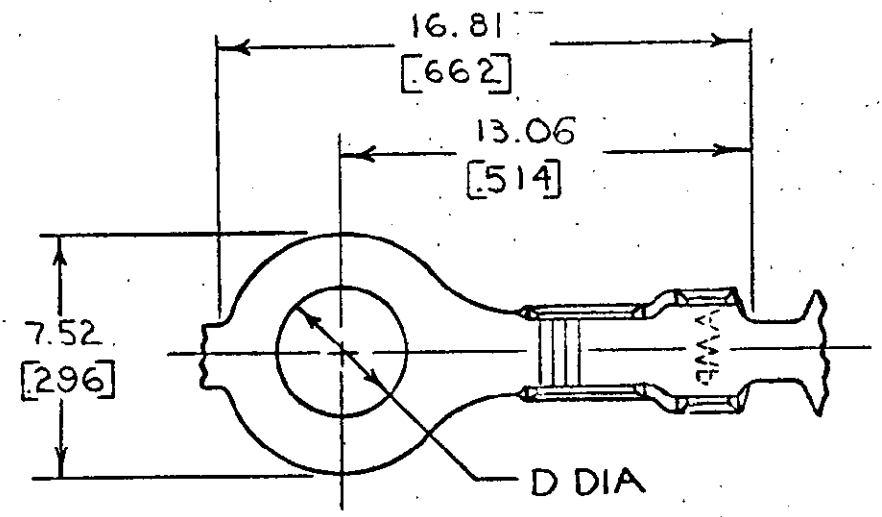


DRAWING MADE IN THIRD ANGLE PROJECTION

© COPYRIGHT 1968 BY AMP INCORPORATED, HARRISBURG, PA. ALL INTERNATIONAL RIGHTS RESERVED. AMP INCORPORATED PRODUCTS COVERED BY U. S. AND FOREIGN PATENTS AND/OR PATENTS PENDING.

1 LOC AF DIST 50



REVISIONS						
P	F	ZONE	LTR	DESCRIPTION	DATE	APPROVED
✓	✓		G	REDRAWN & REVISED A-3943	4-11-78	DJP
✓	✓		H	OBSOLETE 42036-3, -4, -5 A-3874	6-29-78	SS/
✓	✓		J	REVISED PER A-6100	7/25/83	SS/ GY
✓	✓		K	OBSOLETE 42036-0 AF-3702	5/16/88	TMS/ GY
			L	REV PER 0459-94	9/9/94	PMF/ GY

1. CONTINUOUS STRIP ON REELS
2. DIMENSIONS IN BRACKETS ARE IN INCHES.

METRIC

OBSOLETE

2.03-2.79 [080-.110]	0.3mm ² 1.0mm ² [22-18]	#10	5.00 [197]						-5
		M4-#8	4.34 [171]						-4
		M3.5-#6	3.68 [145]	NONE	0.51 [020]	COPPER			-3
		#10	5.00 [197]						-2
		M4-#8	4.34 [171]						-1
INSULATION RANGE		WIRE RANGE	STUD SIZE	D ±0.08 [±.003]	FINISH	MATERIAL	PART NO		
UNLESS OTHERWISE SPECIFIED DIMENSIONS ARE IN INCHES. M M TOLERANCES ON: DECIMALS ±0.38 [015] ANGLES ± 1° 0'		CONTRACT NO		AMP INCORPORATED Harrisburg, Pa.					
MATERIAL		DR		NAME					
SEE TABLE		D. FABIAN 4-11-78		RING					
FINISH		CHK		SIZE					
SEE TABLE		G YETTER 5-5-78		CODE IDENT NO					
		APPD		DRAWING NO					
		P. Kreder 5-16-78		B 00779 42036					
		APPD		SCALE					
		R.P. Frantz 5/16/78		SHEET					
		OTHER APPD		CUSTOMER DRAWING					